

MAC AIR BLOWERS

Keeping Australia clean

Replacement Air Blowers to suit all existing brands of domestic wastewater treatment units in Australia.*

80, 100 and 200 L/min Air Blowers available.



**IMPROVES THE
PERFORMANCE
OF EXISTING WASTEWATER
SYSTEMS**

* Subject to the required air flow volume.

FEATURES

Improves the performance of existing installations of all brands of domestic wastewater units.*

Over 1 million sold in Japan

Long-life

The MAC Air Blowers have been tested for endurance in high and low temperature extremes proving the durability of its diaphragm and other components.

Energy Efficient

The MAC Air Blowers are the most energy efficient in their class resulting in lower ongoing operating costs.

Compact and Quiet

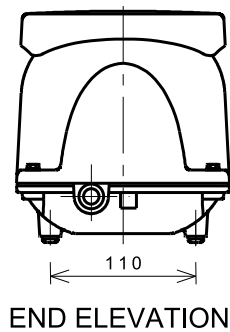
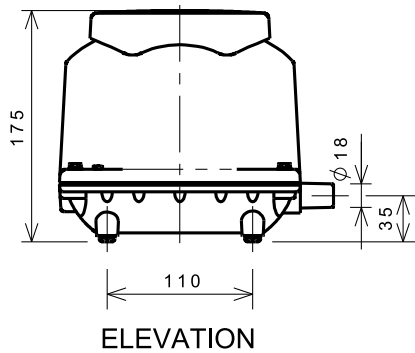
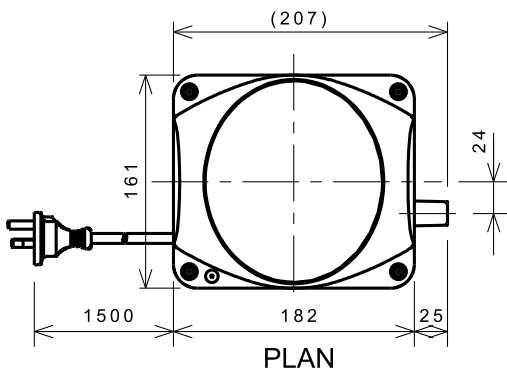
(Diaphragm Linear Blower)

The MAC Air Blowers are so quiet they can be safely installed close to the house.

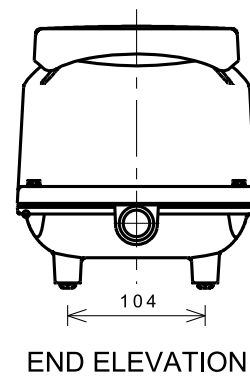
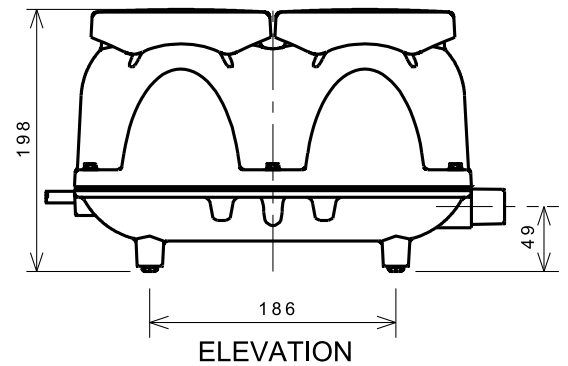
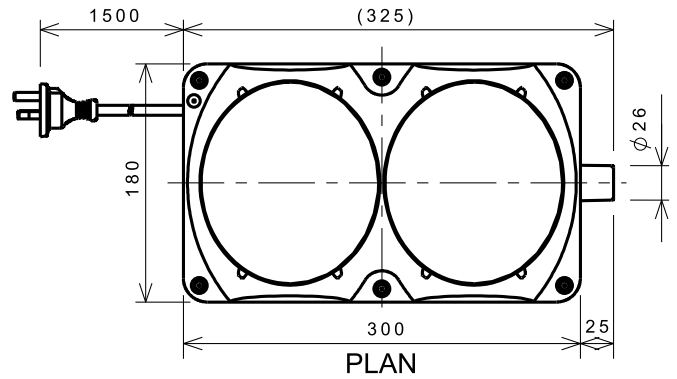
Easy Maintenance

The diaphragm assemblies are easily replaced and replacement parts are readily available from Fuji Clean Australia.

MODEL	MAC80N	MAC100N	MAC200N
Air Flow Volume	80 L/min	100 L/min	200 L/min
Normal Pressure	15 kPa	18 kPa	18 kPa
Rated Voltage and Current	AC240V, 0.5A		AC240V, 1.5A
Frequency	50Hz		
Outlet Pipe Size	O.D. 18mm		O.D. 26mm
Weight	Approx. 5.0 kg		Approx. 9.0 kg
Power Consumption	54 W	84W	160W
Power Cable	1.5 m		



MAC80N/100N



MAC200N

Dimensions in mm



Fuji Clean products are available in Australia
through Fuji Clean Australia

Your Agent:

Fuji Clean Australia

Keeping Australia clean

PO Box 913 Earlville, QLD 4870

Sales: 0400 786 685

Phone: (07) 4033 7742 Fax: (07) 4033 6311

Email: info@fujiclean.com.au

www.fujiclean.com.au